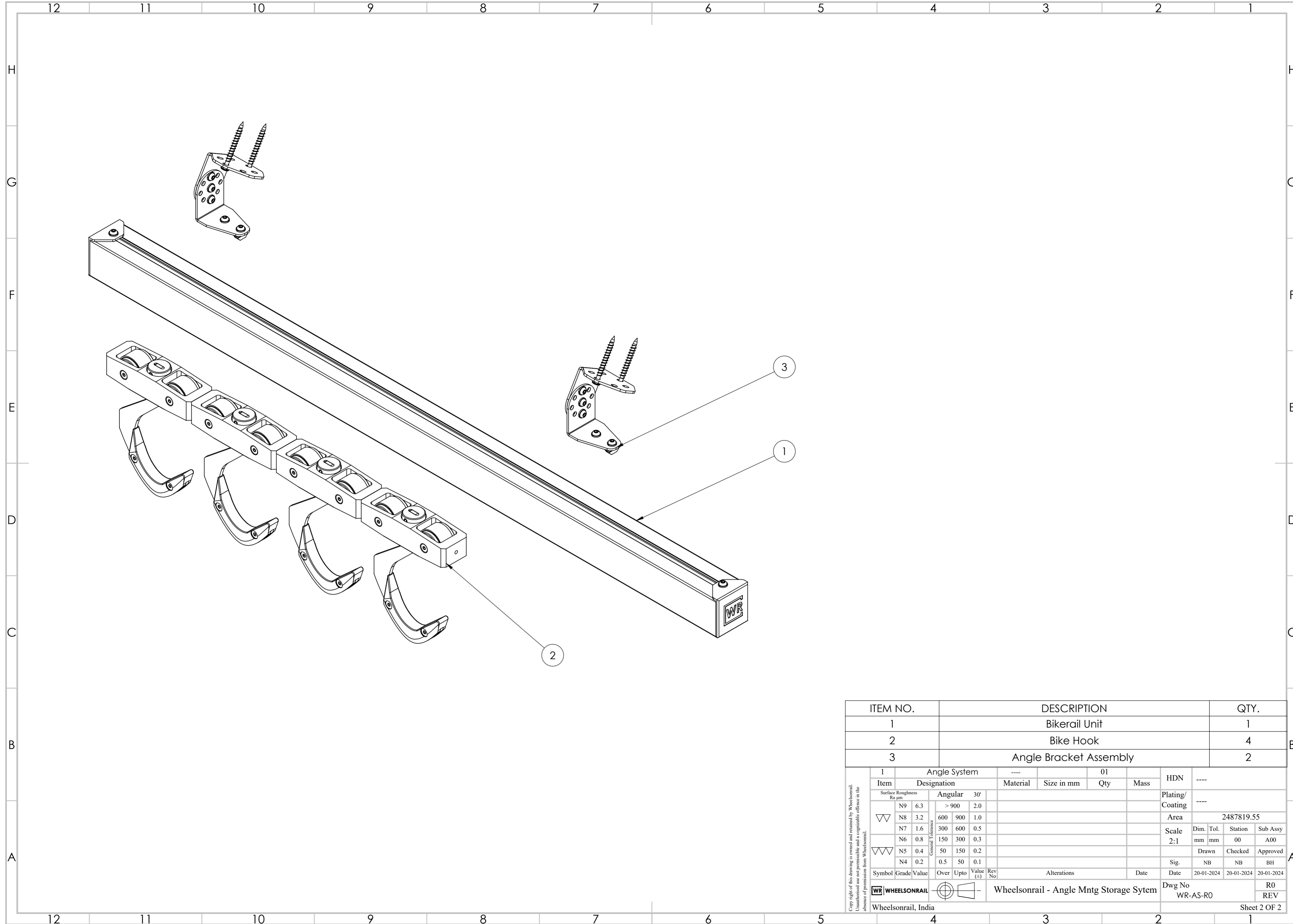


Item	Designation	Material	Size in mm	Qty	Mass	HDN	----				
▽	Surface Roughness Ra μ m	Angular		30'		Plating/ Coating	----				
	N9 6.3	> 900	2.0		Area		2487819.55				
	N8 3.2	600	900	1.0			Scale	Dim.	Tol.	Station	Sub Assy
	N7 1.6	300	600	0.5				mm	mm	00	A00
	N6 0.8	150	300	0.3				2:1	Drawn	Checked	Approved
N5 0.4	50	150	0.2								
▽▽	General Tolerance	N4 0.2	0.5	50	0.1	Sig.	NB	NB	BH		
		Symbol	Grade	Value	Over		Upto	Value	Rev		
				(\pm)	No	Alterations		Date	Date		
WR WHEELSONRAIL		Wheelsonrail - Angle Mntg Storage Sytem		Dwg No		WR-AS-R0		R0			
Wheelsonrail, India								REV			
								Sheet 1 OF 2			



ITEM NO.	DESCRIPTION	QTY.
1	Bikerail Unit	1
2	Bike Hook	4
3	Angle Bracket Assembly	2

1	Angle System	---	Size in mm	01	Mass	HDN	---	
Item	Designation	Material	Size in mm	Qty	Mass	HDN	---	
▽	Surface Roughness Ra μm	Angular	30'			Plating/ Coating	---	
	N9 6.3	> 900	2.0			Area	2487819.55	
	N8 3.2	600	900	1.0		Scale	Dim. Tol. Station Sub Assy	
	N7 1.6	300	600	0.5		2:1	mm mm 00 A00	
	N6 0.8	150	300	0.3			Drawn Checked Approved	
∇	N5 0.4	50	150	0.2			Sig. NB NB BH	
	N4 0.2	0.5	50	0.1			Date 20-01-2024 20-01-2024 20-01-2024	
Symbol	Grade	Value	Over	Upto	Value (±)	Rev No	Alterations	
						Wheelsonrail - Angle Mntg Storage Sytem Dwg No WR-AS-R0		R0 REV
Wheelsonrail, India						Sheet 2 OF 2		