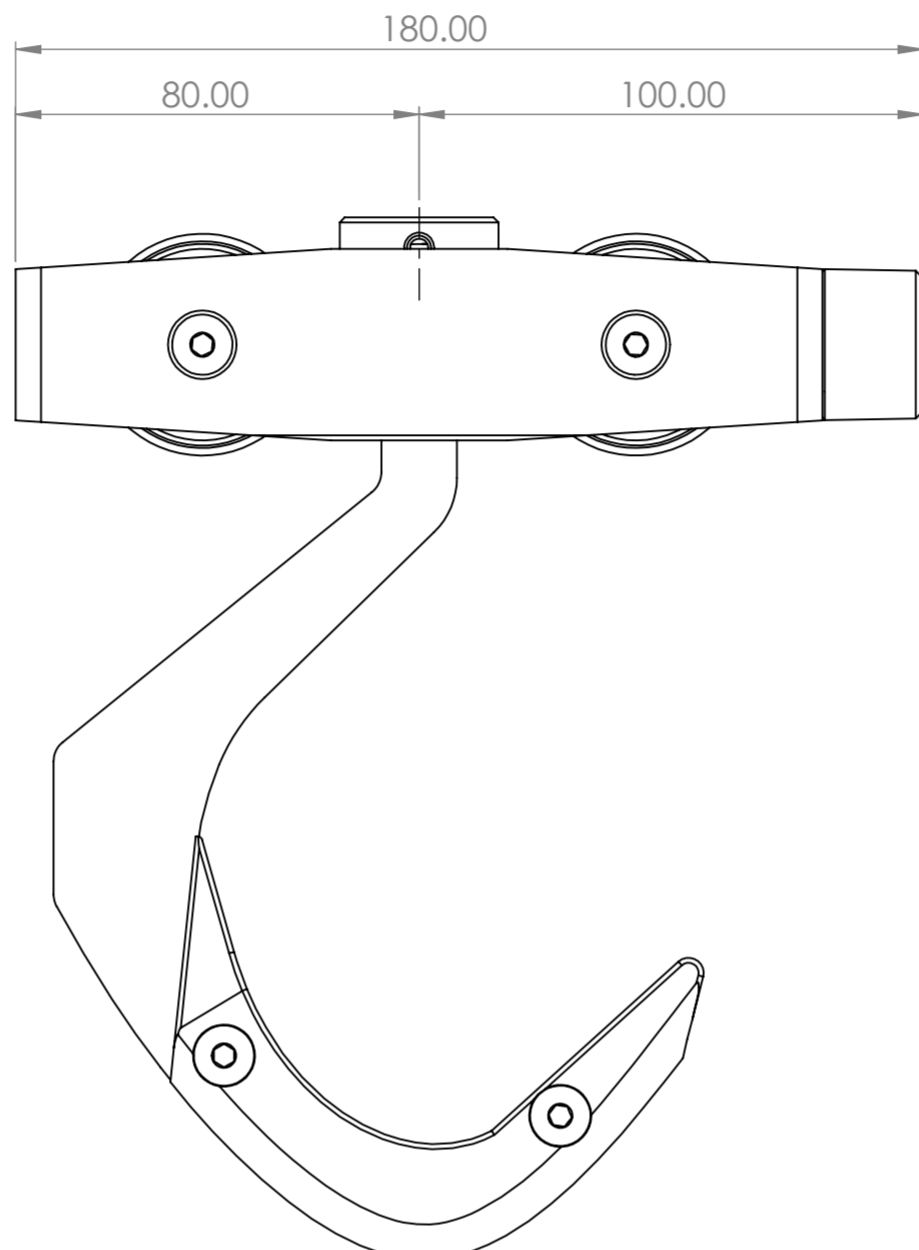
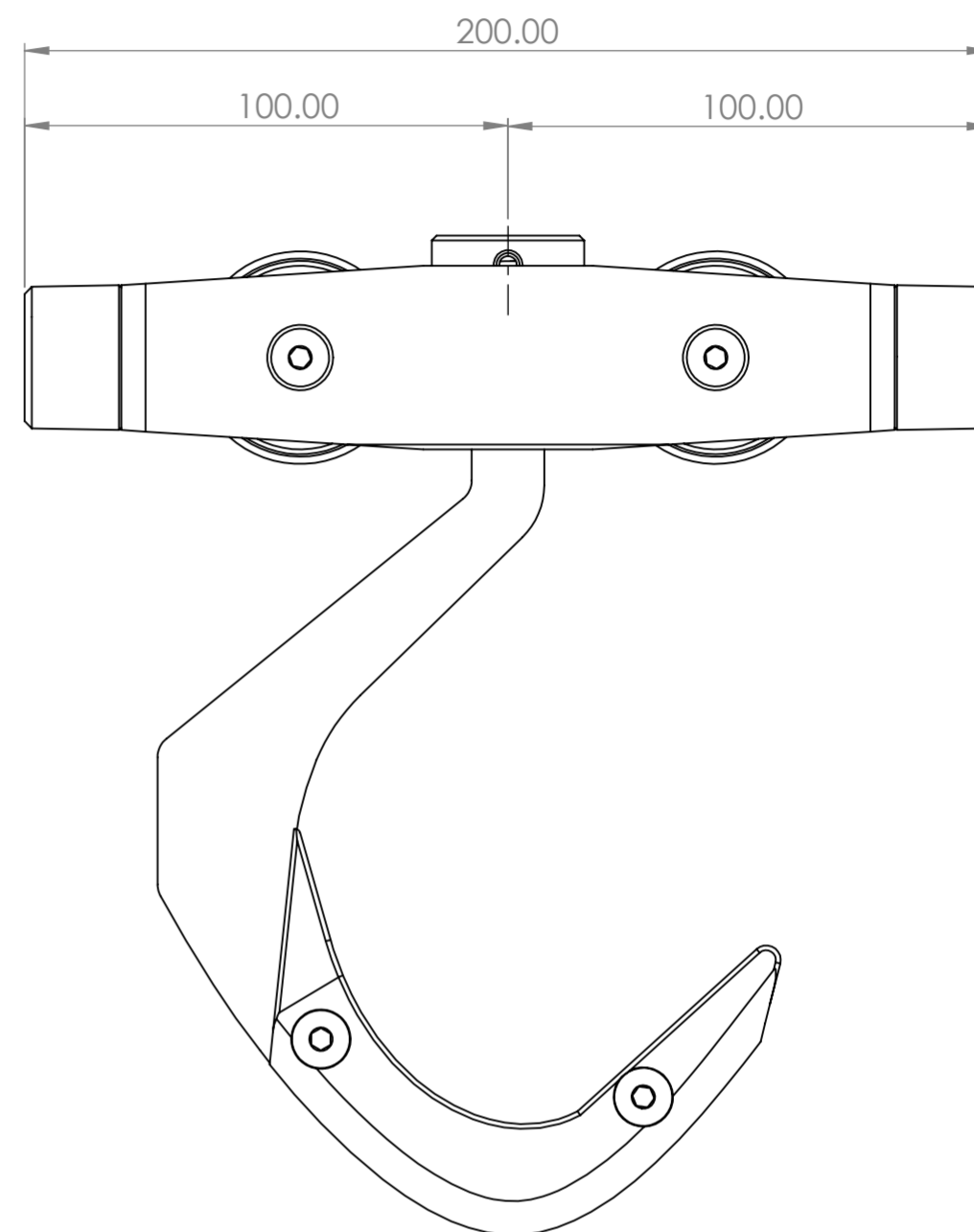


Bike Hook x 0 Spacer



Bike Hook x 1 Spacer



Bike Hook x 2 Spacer

1	Bike Hook		----	Size in mm	01	Mass	HDN	----
Item	Designation		Material	Size in mm	Qty	Mass	HDN	----
	Surface Roughness Ra μm	Angular	30'				Plating/ Coating	----
∇	N9 6.3	> 900	2.0				Area	96749.05
	N8 3.2	600	900	1.0			Scale	Dim. Tol. Station Sub Assy
	N7 1.6	300	600	0.5			2:1	mm mm
	N6 0.8	150	300	0.3				Drawn Checked Approved
∇	N5 0.4	50	150	0.2				Sig. NB NB BH
	N4 0.2	0.5	50	0.1				Date Date
Symbol	Grade	Value	Over	Upto	Value (\pm)	Rev No	Alterations	Date
WR WHEELSONRAIL							Wheelsonrail - Bike Hook	
Wheelsonrail, India							Dwg No WR-TR-R0	R0 REV
								Sheet 1 OF 1

Copy right of this drawing is owned and retained by Wheelsonrail.
 Unauthorized use not permissible and a cognizable offence in the
 absence of permission from Wheelsonrail.